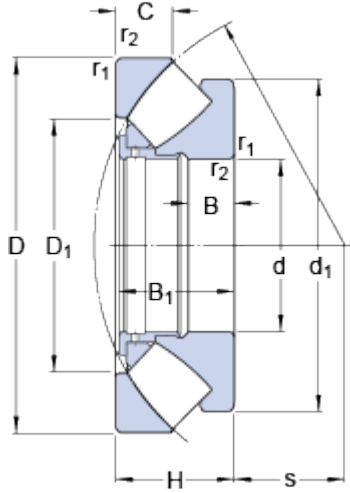


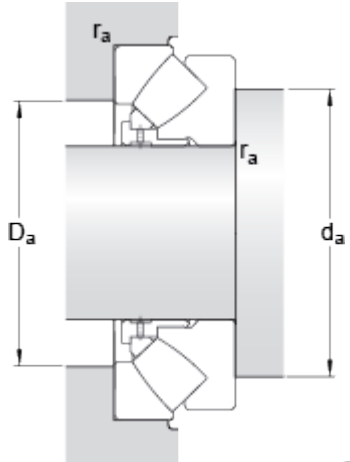
# 29368

## Dimensions



d	340	mm
D	540	mm
H	122	mm
d <sub>1</sub>	≈ 520	mm
D <sub>1</sub>	≈ 428	mm
B	40.6	mm
B <sub>1</sub>	117	mm
C	59.5	mm
s	192	mm
r <sub>1,2</sub>	min. 5	mm

## Abutment dimensions



d <sub>a</sub>	min. 440	mm
D <sub>a</sub>	max. 479	mm
r <sub>a</sub>	max. 4	mm

## Calculation data

Basic dynamic load rating	C	2710	kN
Basic static load rating	C <sub>0</sub>	11000	kN
Fatigue load limit	P <sub>u</sub>	950	kN
Reference speed		600	r/min
Limiting speed		1100	r/min
Minimum axial load factor	A	11	

## Mass

Mass bearing		105	kg
--------------	--	-----	----